

BUTTON T-3302S

surface suspension lamp

Date	Type
Project	
Location	
Model #	Quantity
Specifier	

Description

Suspension lamp made of a metal head and a rigid metal stem that can be cut to adjust the height.



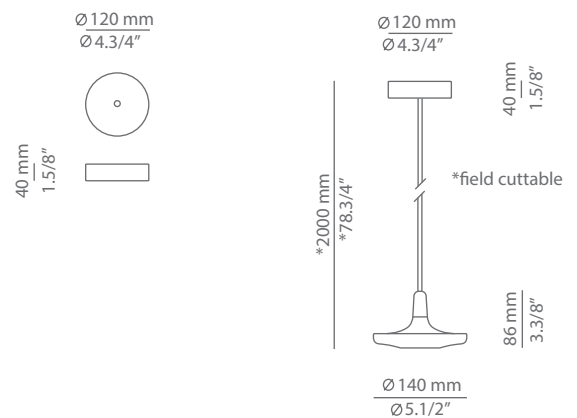
Pictures above might not show the specified dimensions or material. They are for illustration purposes only.

Ordering information

Code	Lamp	Finish
T-3302S	LED 9W (led included) (3000K / Ang 45° / >90 CRI / 350mA) 100V - 240V / Typ* 1096 lumens Non dimmable	<ul style="list-style-type: none"> 26 BLK Black 71 WH White 93 GR LM Grey-limestone CUSTOM

Product includes

Code	Description
113302XX1	1 surface canopy for 1 single pendant
T-3302	1 button pendant with metal rigid stem
671000023	1 driver / Non dimmable



SPECIAL REQUIREMENTS

Custom versions

We offer custom plated or RAL finishes.

Alternate lamping and sizes available for projects. Consult our offices.

Special instructions



ESTILUZ, S.A.
Carretera d'Ogassa, s/n
17860 Sant Joan de les Abadesses
T+34 972 720 125
F+34 972 720 796

estiluz@estiluz.com
www.estiluz.com