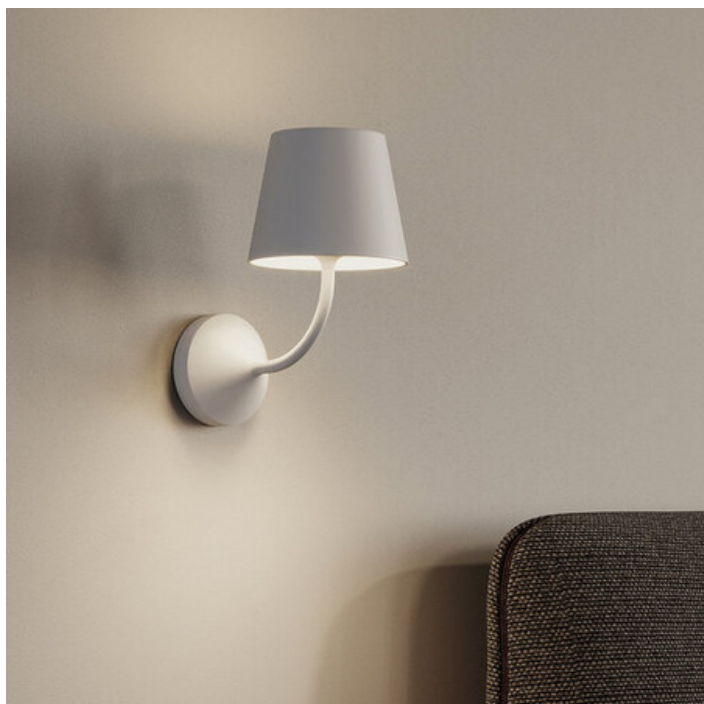
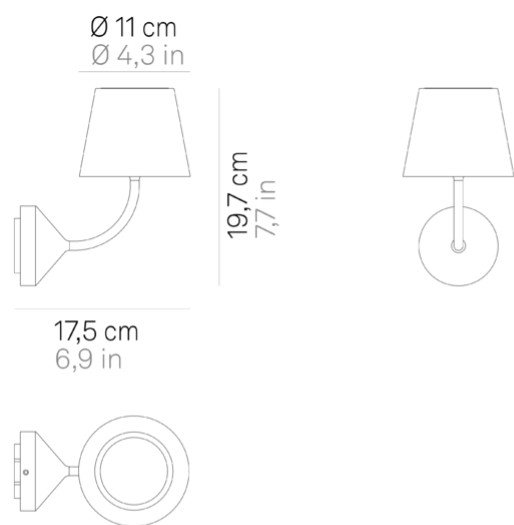


Poldina 230V _wall



Table, wall and floor lamps with die-cast aluminum structure painted in matt white, corten or dark grey, and transparent polycarbonate diffuser. The light source is LED or E27 incandescent (E27 bulb not included). The LED versions are dimmable; the LED table lamp has the light color temperature selection function. The high IP rating (IP54) makes the wall lamps ideal for indoor and outdoor use.



LED IP54

LD0348

<input type="checkbox"/>	White	B3	<input type="checkbox"/>	Dark grey	N3
<input type="checkbox"/>	Corten	R3			

CE   EAC



Poldina 230V _wall

Lighting specifications

source	LED
type	SMD
total power	5,4 W
power LED	3,0 W
color temperature	2700 K
lumen lamp	300 lm
lumen LED	446 lm
beam angle	54°
CRI	> 80
class	D
dimmer	TRIAC
motion sensor	NO

Electrical specifications

voltage	220-240V
frequency	50/60 Hz
input	220-240V
output	350 mA - 8/13V
batteria	batteria a pacchetto li-lon 2 celle mod.18650 2500 ma/h

ACCESSORIES
