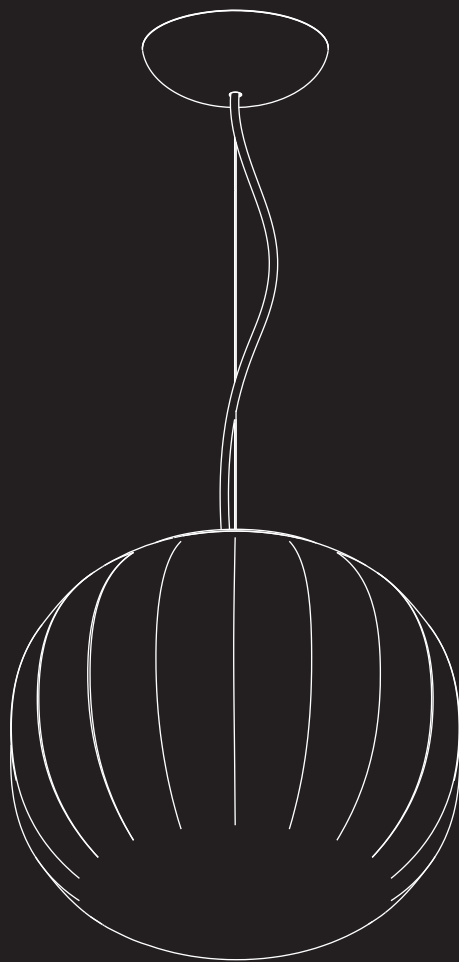


LITA

design David Dolcini

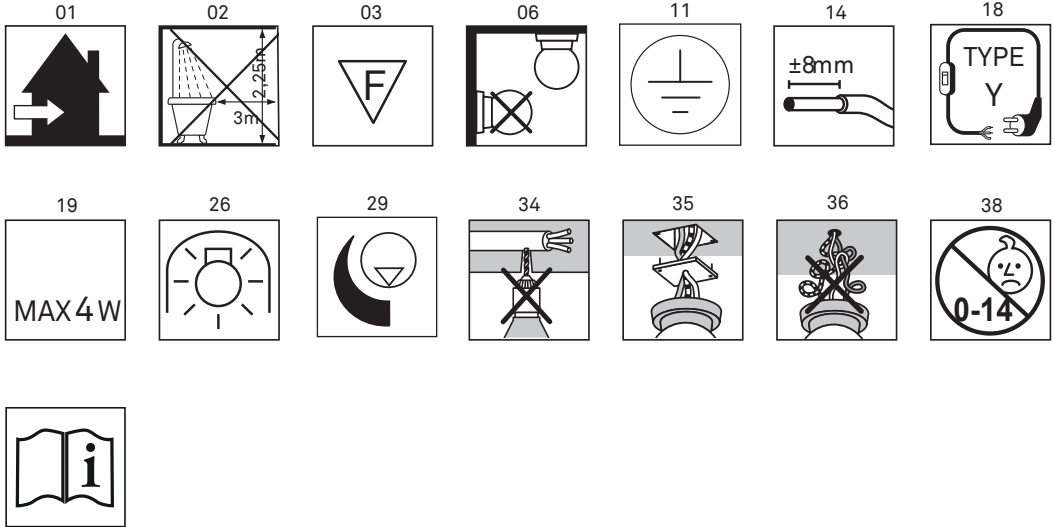


**LUCE
PLAN**

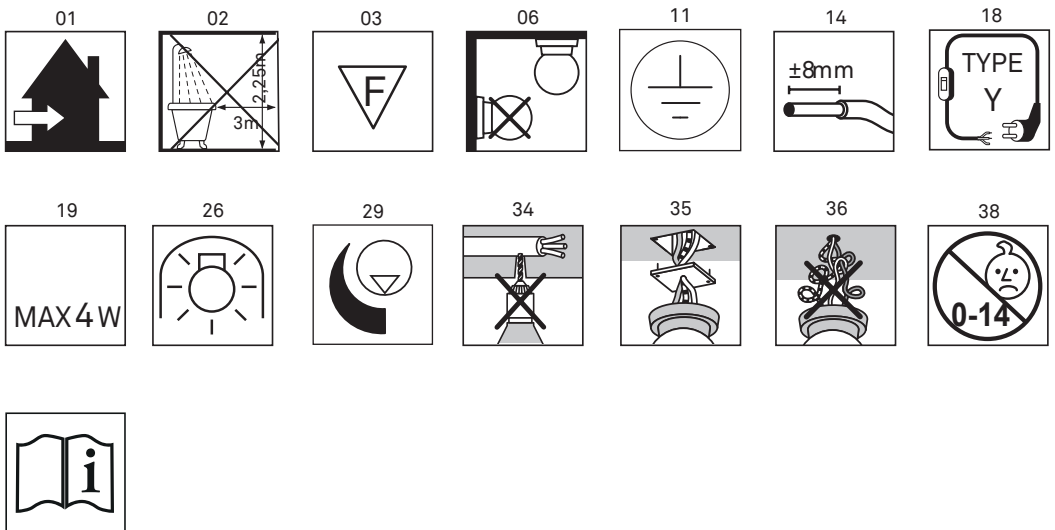
D92



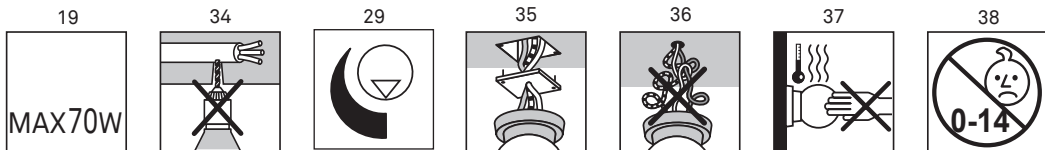
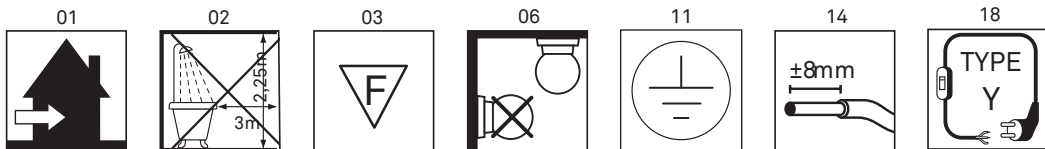
D92S14



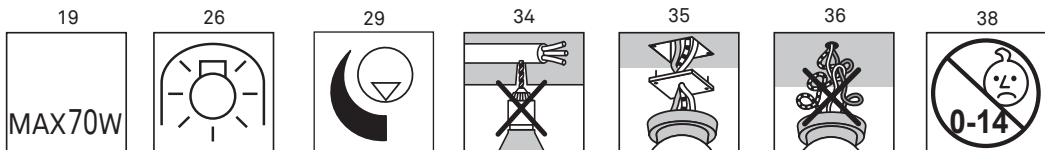
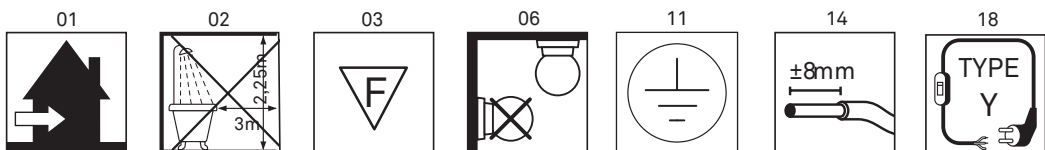
D92S18



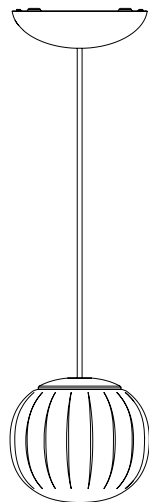
D92S30



D92S42



D92S14



14 cm
5.51"

max 314 cm - min. 114 cm

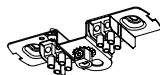
max 123.62" - min. 44.88"



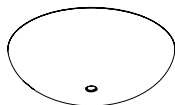
a



b



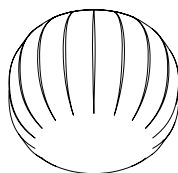
x1



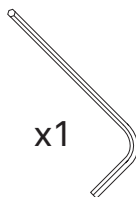
x1



x1



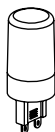
x1



x1

kg 1.1kg

lb 2.42lb



MAX
4W
LED
G9

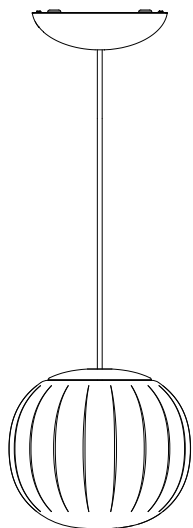
D92S18 + D92/2



a



b



18 cm
7.08"

max 318 cm - min. 118 cm

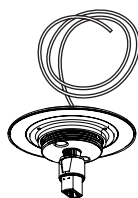
max 125.19" - min. 46.45"



x1



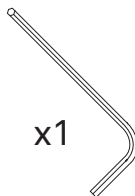
x1



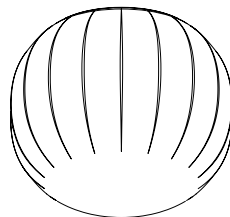
x1



x1



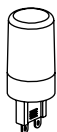
x1



x1

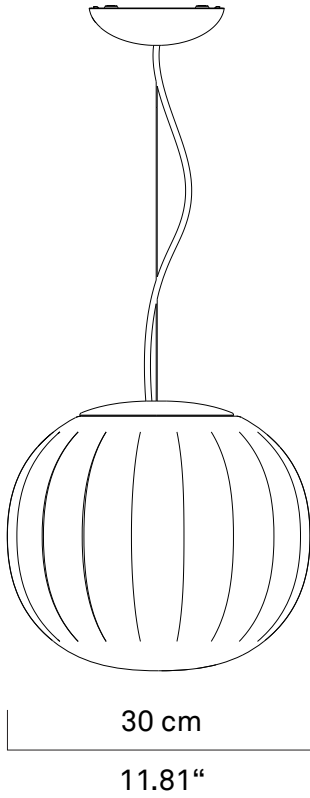
kg 1.3kg

lb 2.86 lb

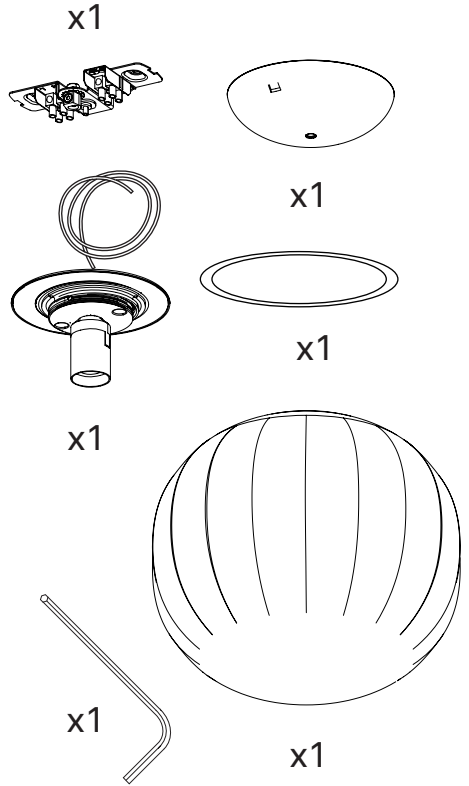
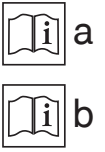


MAX
4W
LED
G9

D92S30 + D92/3



max 330 cm - min. 130 cm
max 129.92" - min. 51.18"

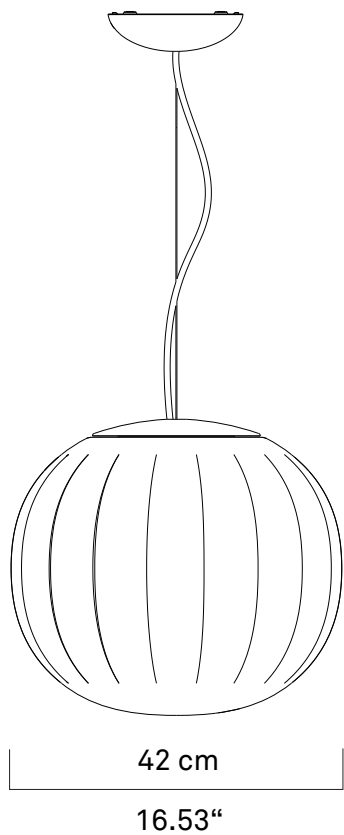


kg 2.3kg

lb 5 lb



D92S42 + D92/4



max 342 cm - min. 142 cm

max 134.64" - min. 55.90"

42 cm

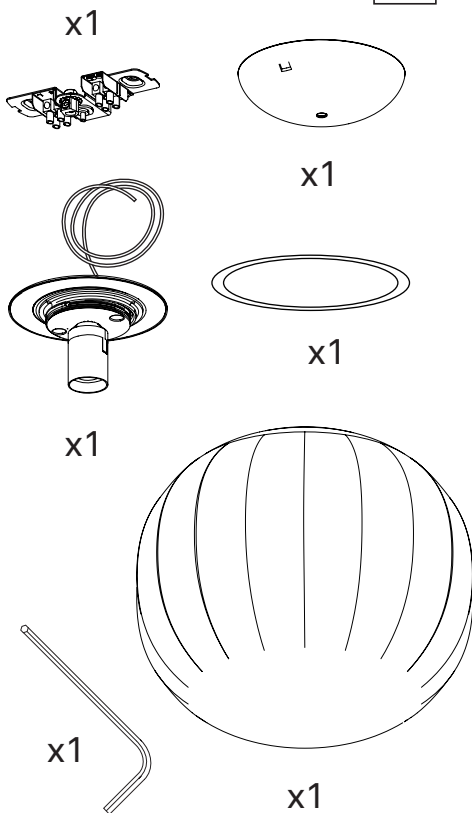
16.53"



a



b



x1

x1

x1

x1

x1

x1

kg 5.3kg

lb 11.7 lb

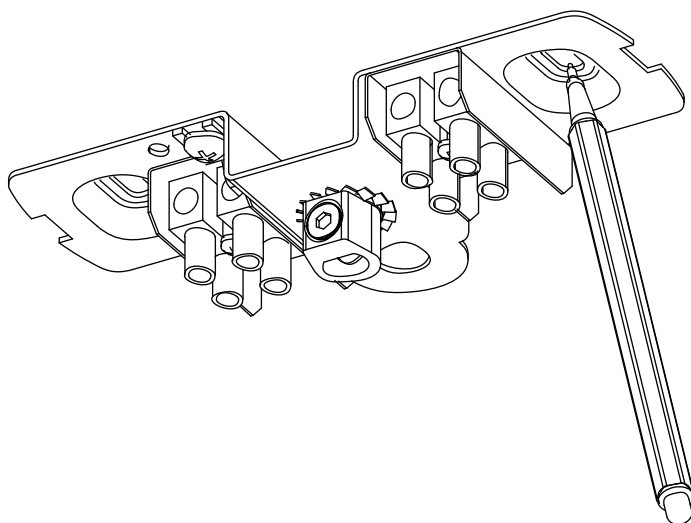


MAX
16W
LED
E27

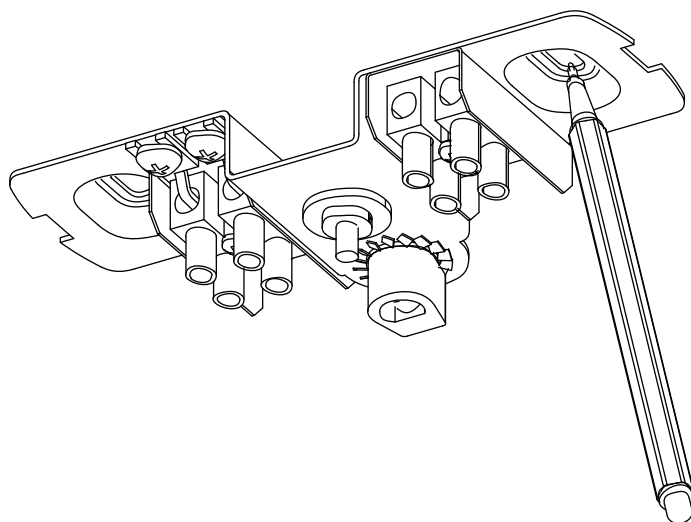


MAX
70W
E27

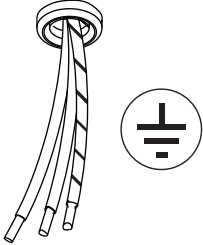
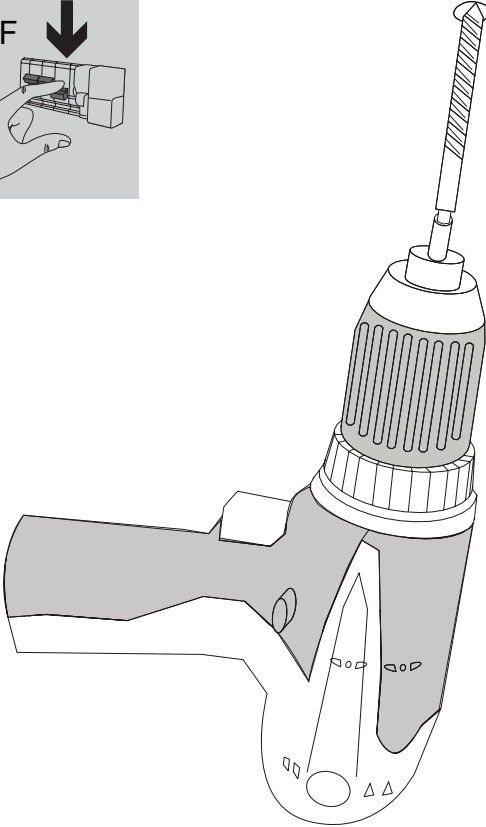
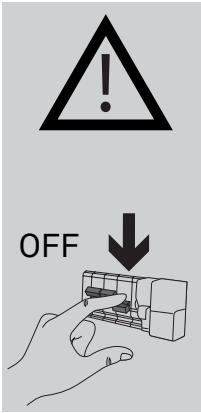
1 | 1.1 D92S14 - D92S18



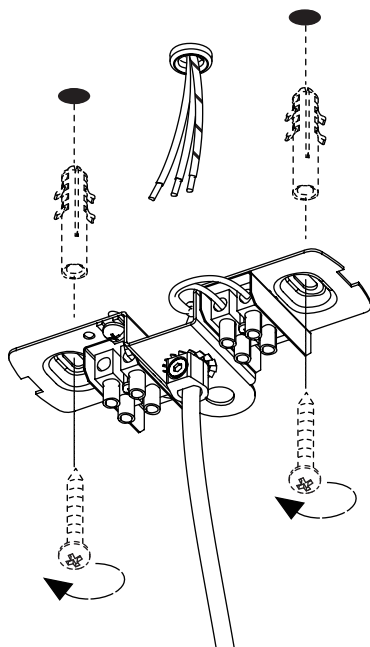
D92S30 - D92S42



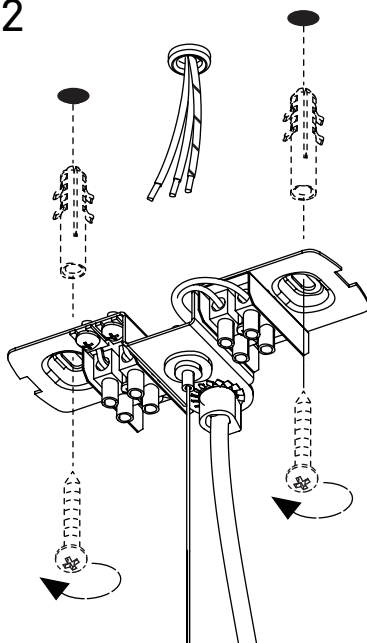
1.2



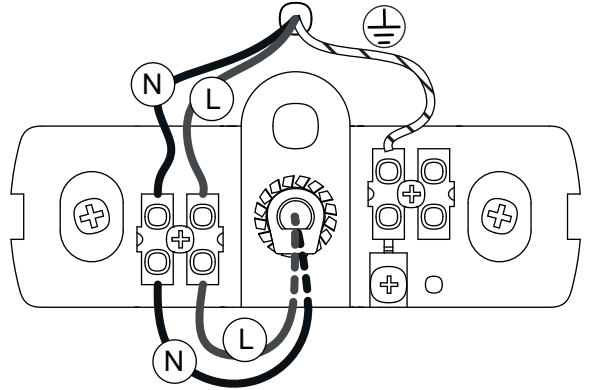
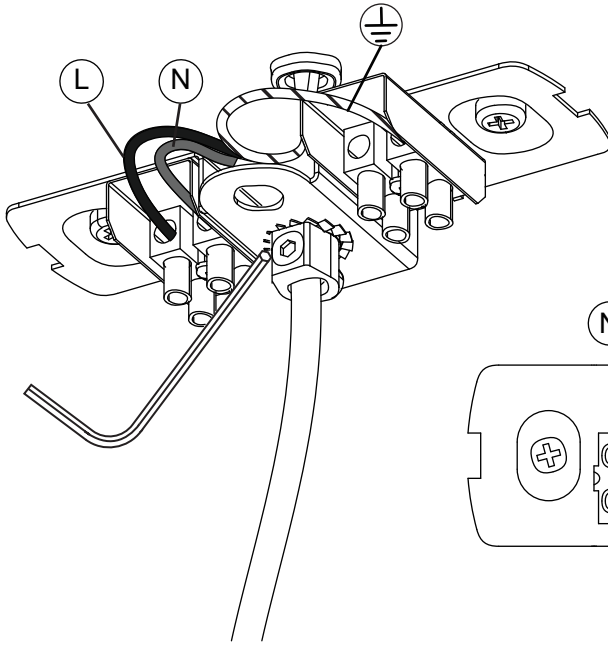
1.3 D92S14 - D92S18



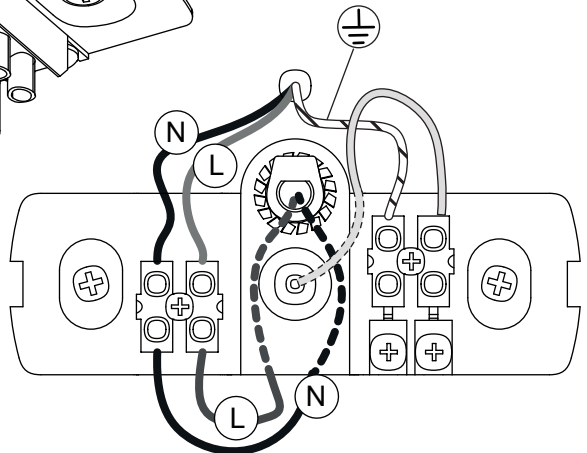
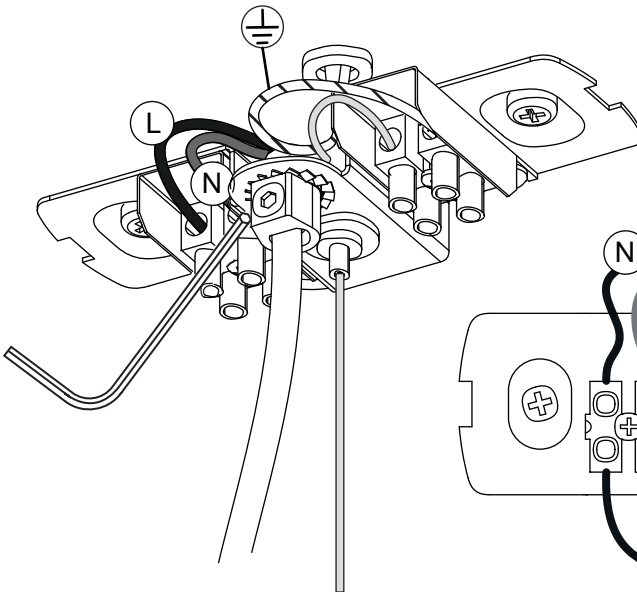
D92S30 - D92S42



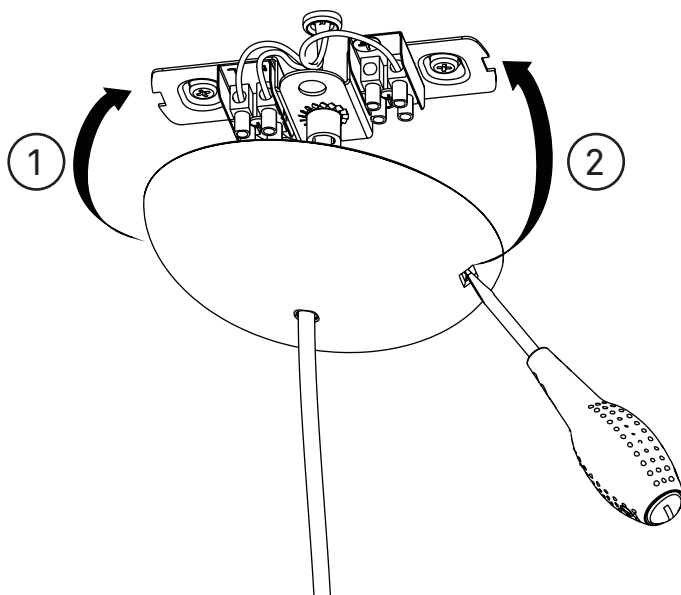
1.4 D92S14 - D92S18



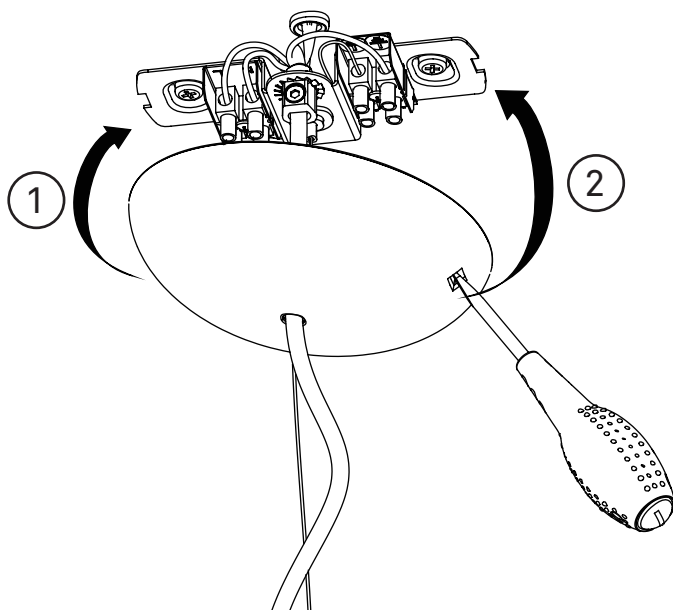
D92S30 - D92S42



1.5 D92S14 - D92S18

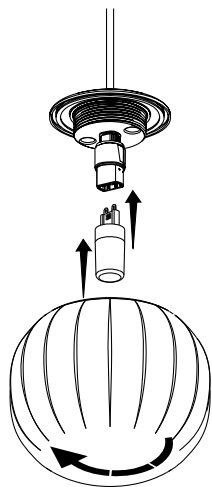


D92S30 - D92S42

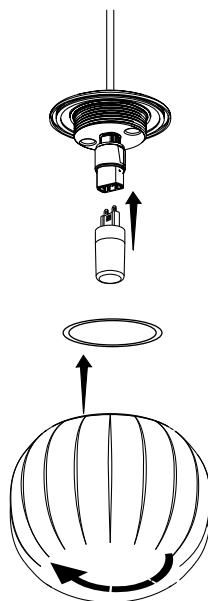


2

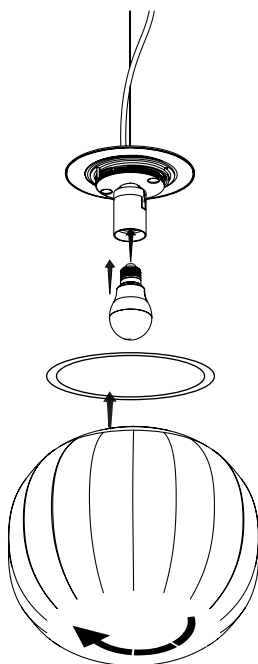
D92S14



D92S18

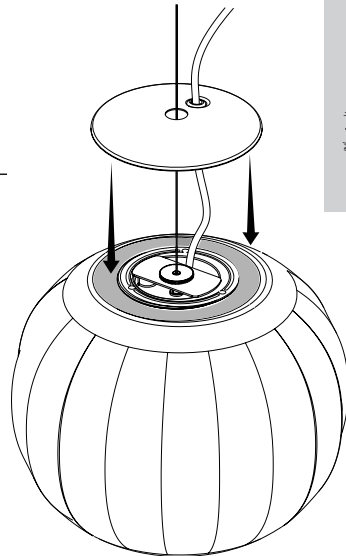
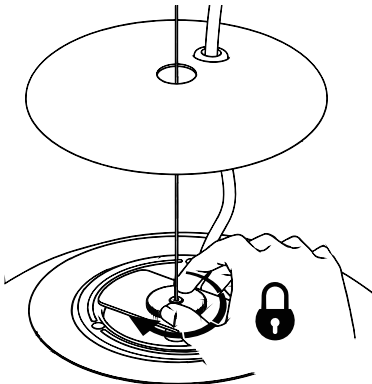
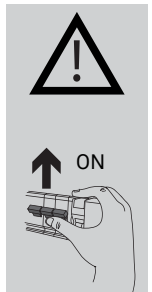
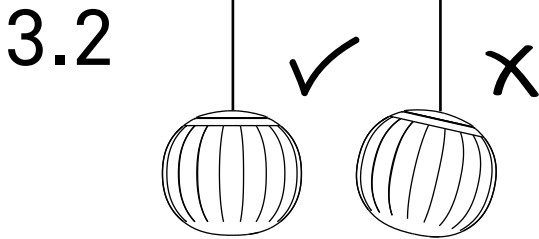
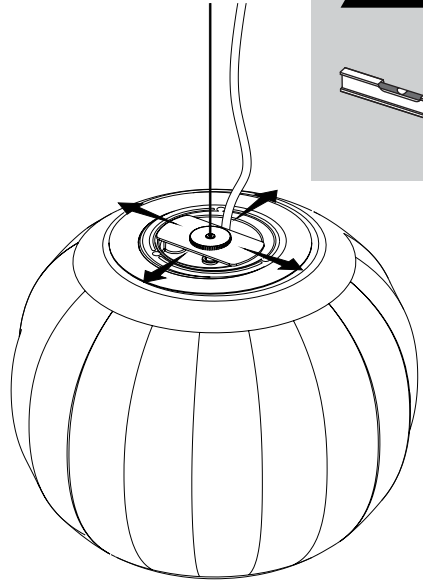
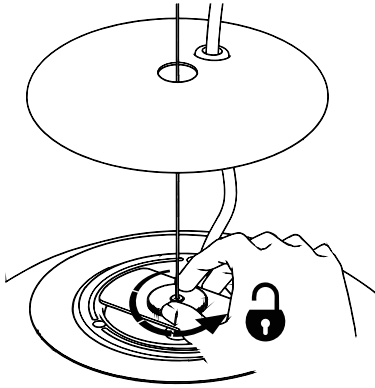
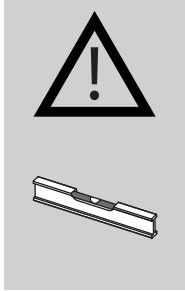


D92S30 - D92S42

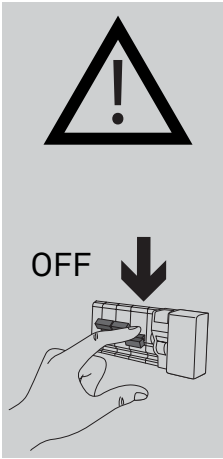


3

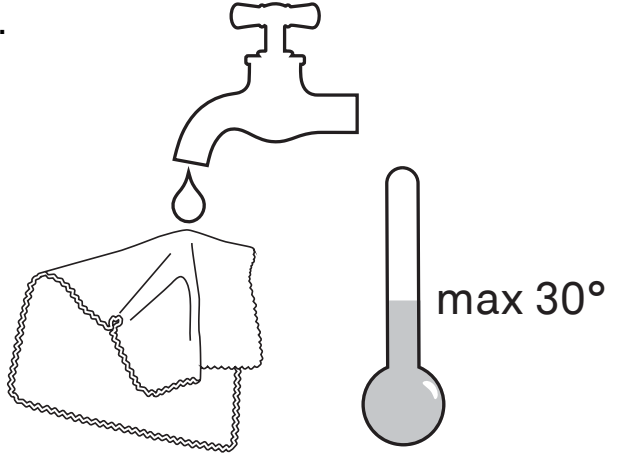
3.1 D92S30 - D92S42



4



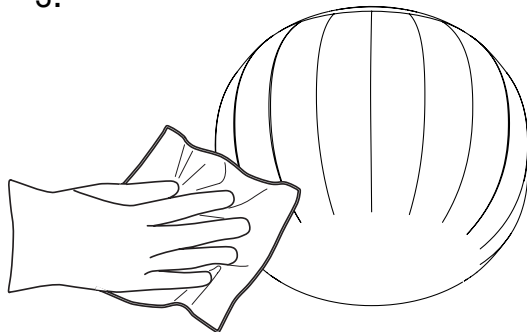
1.



2.



3.





www.luceplan.com

D9201C003