

BOLS

T-4025X
suspension lamp

| | |
|-----------|----------|
| Date | Type |
| Project | |
| Location | |
| Model # | Quantity |
| Specifier | |

Description

Aluminium suspension lamp with polyethylene shade and integrated dimmable LED. Double layer coating for high resistance to corrosion and other maritime environmental conditions. Adjustable height.



Pictures above might not show the specified dimensions or material. They are for illustration purposes only.

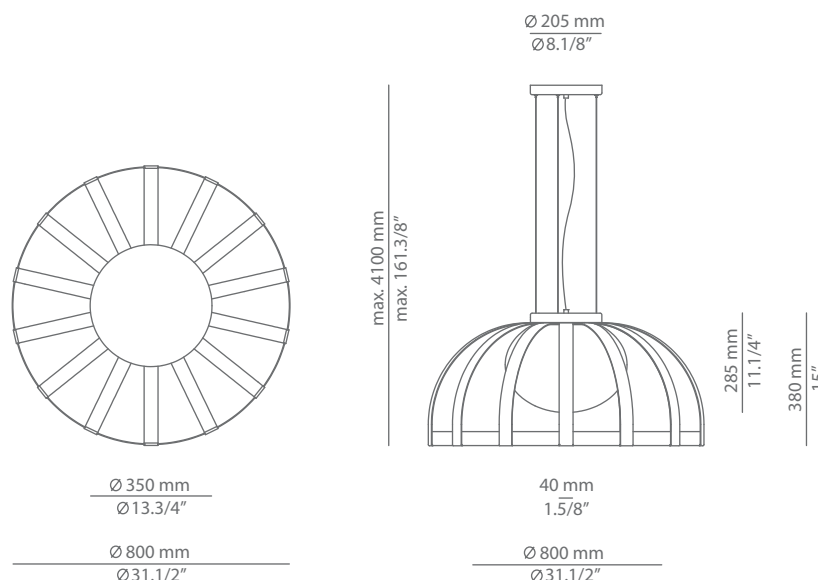
Ordering information

| Product Code | Lamp | Finish |
|--------------|--|-----------------------|
| T-4025X | LED 10W (led included) F (2700K / Ang 120° / >90 CRI) 230V / Typ* 870 lumens Dimmable Triac | 55 BG Beige CUSTOM |

SPECIAL REQUIREMENTS

Custom finishes and versions

We offer custom plated or RAL finishes and shades. Alternate lamping and sizes available for projects. Consult our offices.



Special instructions



ESTILUZ, S.A.
Carretera d'Ogassa, s/n
17860 Sant Joan de les Abadesses
T+34 972 720 125
F+34 972 720 796

estiluz@estiluz.com
www.estiluz.com