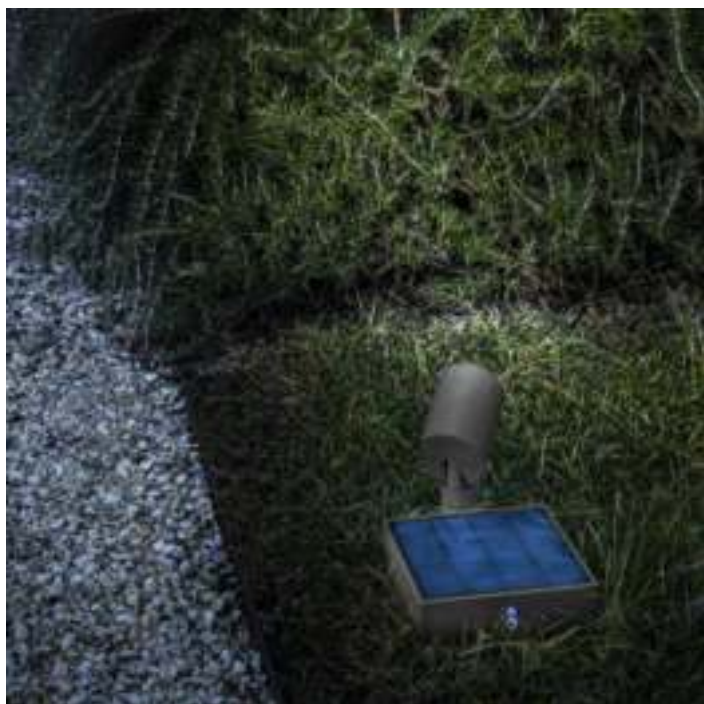
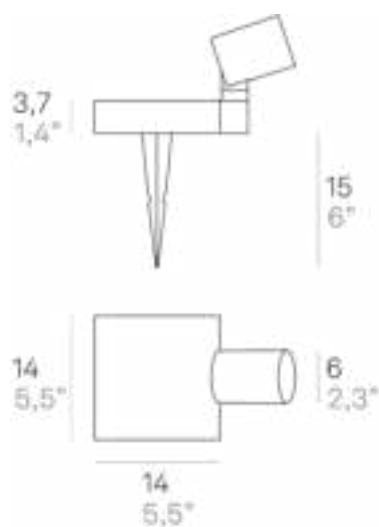


## Solar \_spotlight



Wall lamp, bollard and adjustable spotlight in die-cast aluminum painted in dark grey, with polycarbonate diffuser. Designed for outdoor use, the Solar lamps are equipped with a solar panel that charges the battery (replaceable) and have a high IP rating (IP54 for the wall lamp and bollard; IP65 for the adjustable spotlight). The wall lamp and the bollard are equipped with a dusk sensor that activates the lamp in "energy saving" mode (30 lm, 0.33 W); they are also equipped with a motion sensor that activates the full power mode when movement is detected (returning the light to energy saving mode after 60"). The motion sensor can be disabled, in which case the lamp always emits 50% of the luminous flux.



LED

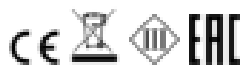
not dimmable

IP65

LD0404

Dark gray

G3



DESIGN IN ITALY BY ZAFFERANO SRL, MADE IN PRC

Zafferano SRL - Viale dell'Industria, 26 31055 Quinto di Treviso  
- Italy [www.zafferanoitalia.com](http://www.zafferanoitalia.com)

# Solar \_spotlight

## Lighting specifications

---

source	LED
type	COB
total power	1,3 W
power LED	1,3 W
color temperature	3000 K
lumen lamp	81 lm
lumen LED	102 lm
beam angle	28°
CRI	> 80
class	G
motion sensor	NO
seniore crepuscolare	SI

## Electrical specifications

---

voltage	DC 3,7V
batteria	1 cell li-ion battery pack mod. 18650 3,7v - 2200 ma/h without connector
autonomia	7 h.
tempo di ricarica	5 / 8 H.

## ACCESSORIES

---